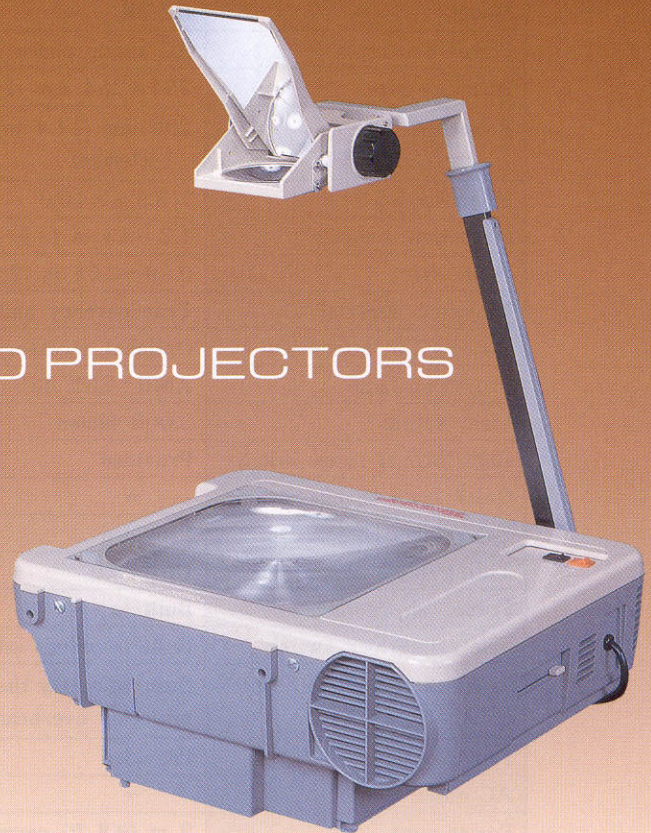


# ELMO

## OVERHEAD PROJECTORS



HP-3K  
HP-3K DX  
HP-4K DX  
PORTABLE

### Introducing The Latest in High Performance Portable Overhead Technology ..... The Elmo HP-3K, HP-3K DX and HP-4K DX Portable Overhead Projectors

The Elmo engineers have developed the most technologically advanced portable overhead projector series to meet the toughest demands of today's professional presenter.

These new portable overheads feature;

- A bold contemporary design
- Superb brightness and clarity
- 3,000 and 4,000 lumen brightness
- True portability in a 'Slim Line' unit
- Light weight only 17 lbs
- Lamp changer models available
- Hi-Normal lamp switch
- Uses standard 82V-360W ENX (HP-3K & HP-3K DX) or 82V-410W FXL (HP-4K DX) quartz halogen lamps
- LCD compatible with 'Active Matrix' color panels
- Limited 2 year warranty on parts and labor
- 10X10" (254X254 mm) aperture
- Writing roll attachment (option)
- UL/CSA approved



Elmo's new self-contained portable overhead series combines outstanding design with a powerful and brilliant screen performance. The next generation in presentation excellence, the Elmo HP-3K and HP-4K series.

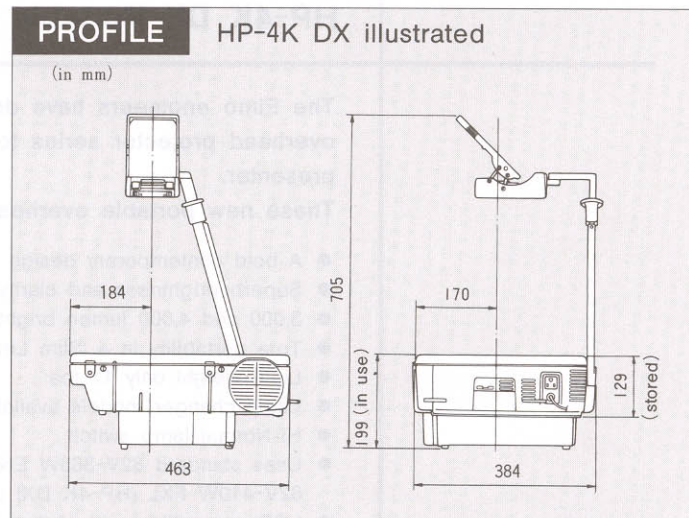


as a technological innovator since 1921

# SPECIFICATIONS

Model	HP-3K	HP-3K DX	HP-4K DX
Power Source	AC single phase 120V		
Aperture size	254×254 mm (10×10 in)		
Projection lens	290 mm (11.4 in) 1-element		289-330 mm (11.4-13.0 in) 3-element vari-focus
Magnification	×3.5~×10.0		×3.5~×10.5
Projection distance	1.2~3.1 m (3.9~10.2 ft)		1.2~3.7 m (3.9~12.1 ft)
Image size	0.89~2.54 m (2.9~8.3 ft)		0.89~2.67 m (2.9~8.6 ft)
Projected material	Transparency and roll		
Writing roll attachment	Optional accessory		
Projection lamp	ANSI : ENX 82V-360W or ENX-5 86V-360W		ANSI : FXL 82V-410W
Light output	3,000 lumen		4,000 lumen
High/Normal lamp switch	Provided		
Quick lamp change device	—	Provided	Provided
Spare lamp holder	Provided	—	—
Tilting angle adjustment	Up to 20°		
Forced air cooling	Built-in		
Safety interlock switch	Built-in safety interlock switch cuts off power when stage frame is opened.		
Safety thermal cut-off switch	Built-in safety thermal cut-off switch automatically cuts off power to lamp if projector overheats.		
Pen tray	Provided		
AC outlet	—	—	Provided
Power cord	3 m (9.8 ft) permanently-attached		
Carrying handle	Provided		
Dimensions—Folded	463×384×129 mm (18.2×15.1×5.1 in)		
—Assembled	463×384×725 mm (18.2×15.1×28.5 in) ... HP-3K/HP-3K DX 463×384×705 mm (18.2×15.1×27.8 in) ... HP-4K DX		
Weight	7.9 kgs (17.4 lbs)	8.0 kgs (17.6 lbs)	8.0 kgs (17.6 lbs)

Note : Dimensions & weight are approximate.  
Design and specifications are subject to  
change without prior notice.



**ELMO® ELMO CO., LTD.**

6-14, Meizen-cho, Mizuho-ku,  
Nagoya, 467-8567 Japan  
E-mail: elmo@gix.or.jp

Distributed by

Additional technical information is available from any of the following subsidiary companies;

**ELMO Mfg. Corp.**

1478 Old Country Road, Plainview, NY 11803-5034, U.S.A.  
Tel. 516-501-1400 Fax. 516-501-0429  
E-mail: elmo@elmousa.com  
Web: <http://www.elmousa.com>

**ELMO (Europe) G.m.b.H.**

Neanderstr 18, 40233 Düsseldorf, Germany  
Tel. 0211-376051-53 Fax. 0211-376630  
E-mail: elmoeurope@AOL.com  
Web: <http://www.elmo.de>

**ELMO Canada Mfg. Corp.**

44 West Drive, Brampton, Ontario, L6T 3T6, Canada  
Tel. 905-453-7880 Fax. 905-453-2391  
E-mail: info@elmocanada.com  
Web: <http://www.elmocanada.com>